

GRAS 46AE

1/2" CCP Free-field Standard Microphone Set



Freq range: 3.15 Hz to 20 kHz
Dyn range: 17 dB(A) to 138 dB
Sensitivity: 50 mV/Pa
IEC 61672 Class 1
Use: For general acoustic diagnostics

The GRAS 46AE is a 1/2" Constant Current Power (CCP) free-field microphone set for measuring medium sound pressure levels at medium frequencies. It is terminated with a BNC connector and is TEDS compatible. The equivalent traditional 200 V (LEMO) type is [GRAS 46AF](#).

Introduction

The 46AE is a free-field microphone set and as such optimized for all acoustic applications, where the location of the main sound source is known and the microphone can be pointed directly at it ensuring 0° incidence.

The wide frequency range makes it ideal for general acoustic diagnostics. 46AE conforms with IEC 61094 WS2F and IEC 61672 Class 1.

Regarding temperature range, see the Specifications. Should higher temperature limits be required, we recommend the [GRAS 146AE](#) 1/2" CCP Free-field Rugged Microphone Set which can be used up to 125 °C.

A front-vented version is available, 46AE-FV 1/2" CCP Free-field Front Vented Microphone Set.

Design

The GRAS 46AE is a high-performance 1/2" free-field standard microphone set for measuring medium sound pressure levels. In our clean-room environment, the set is assembled and sealed with a label. However, the microphone set can be dismantled, if you wish to use the components separately.

Microphone

The microphone cartridge is the high-quality IEC 61094 WS2F standardized [GRAS 40AE](#) 1/2" Prepolarized Free-field Microphone, designed for long-term reliability in multiple environments. The high sensitivity and reliability have made 40AE the preferred measurement microphone for sound level meters/analyzers with CCP-option and, as such, enables IEC 61672 Class 1 measurements.

The prepolarization is obtained through an electret that is inflicted on the microphone back-plate under highly controlled conditions. The electret is then

charged to match the specified microphone sensitivity.

Preamplifier

The preamplifier is the [GRAS 26CA](#) 1/2" CCP Standard Preamplifier with BNC connector and based on our well-known circuit board substrates. In the industry, these are famous for their low self-noise, wide frequency, and excellent slew rate performance.

Compatibility

To perform as specified the GRAS 46AE microphone set requires a constant current input module that can deliver 4 mA and 24 V unloaded CCP voltage supply. If the constant current supply is lower, the capability of driving long cables is reduced and consequently the upper frequency is reduced. If the voltage supply is lower it will influence the upper dynamic range.

The microphone set is terminated with a BNC connector. Ready to use coax cable assemblies of various types and lengths are available in standard as well as customized lengths.

The 46AE is delivered with Generation II TEDS. The calibration data is programmed into the built-in TEDS according to IEEE 1451.4 using UDID I27-0-0-0U. If your measurement platform supports Transducer Electronic Data Sheets you will be able to read and write data like properties and calibration data.

Generation II TEDS chip (DS2431) may require updated system software.

System verification

The functionality of TEDS is very useful to determine which microphone is connected to which input channel. However, it is not a check of whether the microphone is within specifications or not. For daily

verification and check of your measurement setup, we therefore recommend using a sound source like the [GRAS 42AG](#) Sound Calibrator.

For proper sensitivity calibration we recommend using a reference sound source like the [GRAS 42AP](#) Intelligent Pistonphone.

Calibration

When leaving the factory, all GRAS microphones have been calibrated in a controlled laboratory environment using traceable calibration equipment. Depending on the use, measurement environment and internal quality control programs we recommend that the microphone is recalibrated at least once a year.

We offer two kinds of calibration as an optional after-sales service: GRAS Traceable Calibration and GRAS Accredited Calibration.

GRAS Traceable Calibration is a traceable calibration performed by trained personnel under controlled conditions according to established procedures and standards. This is identical to the rigorous calibration that all GRAS microphones are subjected to as an integral part of our quality assurance.

GRAS Accredited Calibration is performed by the GRAS Accredited Calibration Laboratory that has been accredited in accordance with ISO 17025 by DANAK, the Danish Accreditation Fund.

If you want a new microphone set delivered with an accredited calibration instead of the default factory calibration, specify this when ordering.

Learn more at [calibration](#).

GRAS HALT

When our R&D team develops a measurement microphone, it must undergo the most demanding

tests to prove that it can withstand our customers' daily test conditions. Using a series of Highly Accelerated Lifetime Tests (HALT) we ensure that our microphones live up to the high quality and precision that our customers have come to expect and trust. Our HALT tests actively accelerate the lifetime of a microphone by simulating the handling and use it is exposed to in real-life situations.

For more about HALT, see [HALT Stress Testing](#).

Quality and warranty

GRAS microphone sets are made of components from our proven standard portfolio and are all manufactured of high-quality material and branded parts that were chosen and processed to ensure life-long stability and robustness.

All parts are manufactured and assembled at the factory in Denmark by skilled and dedicated operators in a verified clean-room environment. The microphone diaphragm, body and unique protection grid are made of high-grade stainless steel and make the microphone set resistant to physical damage as well as corrosion caused by aggressive air or gasses.

This, together with the enforced gold-plated microphone terminal guarantees a highly reliable connection. Thanks to the high quality, our warranty against defective materials and workmanship is 5 years.

Service

Should you by mistake damage the diaphragm on a GRAS microphone we will in most cases be able to exchange it at a very reasonable cost and short turn-around time. This not only protects your investment but also meets your quality assurance department since you do not have to worry about new serial numbers etc.

Polarization/Connection		0 V / CCP
Frequency range (± 1 dB)	Hz	5 to 10 k
Frequency range (± 2 dB)	Hz	3.15 to 20 k
Dynamic range lower limit with GRAS preamplifier	dB(A)	17
Dynamic range upper limit with GRAS CCP preamplifier	dB	138
Set sensitivity @ 250 Hz (± 2 dB)	mV/Pa	50
Set sensitivity @ 250 Hz (± 2 dB)	dB re 1V/Pa	-26
Output impedance	Ω	< 50
Output Voltage Swing, min. @ 24-28 V CCP voltage supply	Vp	8
Power supply min. to max.	mA	2 to 20
DC bias voltage, typ.	V	12
Microphone venting		Rear
IEC 61094-4 Designation		WS2F
Temperature range, operation	$^{\circ}\text{C} / ^{\circ}\text{F}$	-30 to 85 / -22 to 185*
Temperature range, storage	$^{\circ}\text{C} / ^{\circ}\text{F}$	-40 to 85 / -40 to 185
Temperature coefficient @250 Hz	dB/ $^{\circ}\text{C}$ / dB/ $^{\circ}\text{F}$	-0.01 / -0.006
Static pressure coefficient @250 Hz	dB/kPa	-0.007
Humidity range non condensing	% RH	0 to 90
Humidity coefficient @250 Hz	dB/% RH	-0.001
Influence of axial vibration @1 m/s ²	dB re 20 μPa	66
TEDS UDID (IEEE 1451.4)		I27-0-0-0U
Connector type		BNC
CE/RoHS compliant/WEEE registered		Yes/Yes/Yes
Weight	g / oz	33 / 1.164

*If used at temperatures higher than 70 $^{\circ}\text{C}$, use high temperature cables.

GRAS HALT Test Parameters†

Humidity 90%	@50 $^{\circ}\text{C}$	48 hours
--------------	------------------------	----------

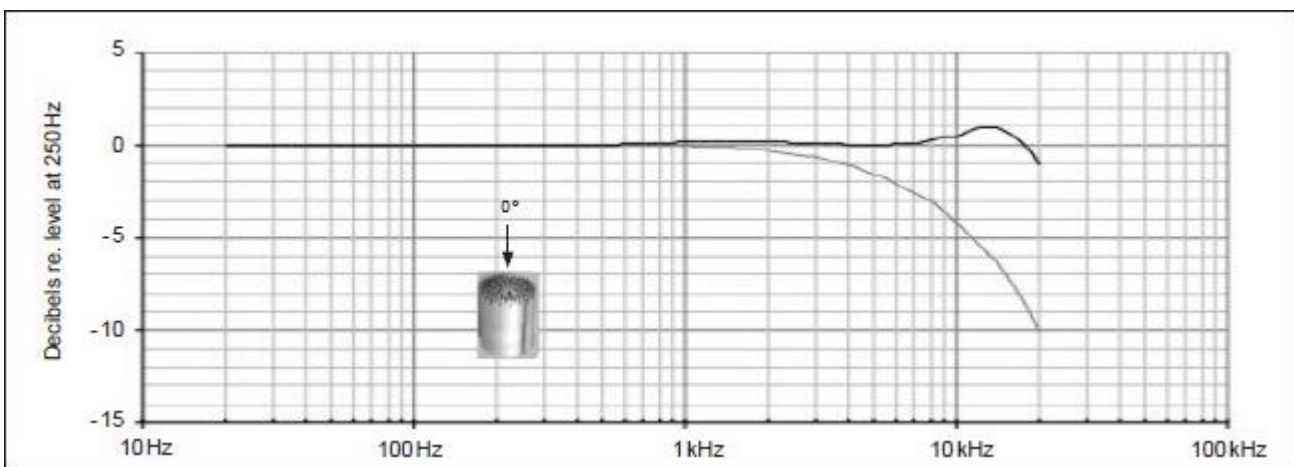
Drop - horizontal orientation of microphone, attached to 2 kg load	m	1
Drop - vertical, grid downwards	m	1
Vibration - horizontal and vertical	@8g	15 hours

†For a short introduction to HALT, see the section "GRAS HALT" above

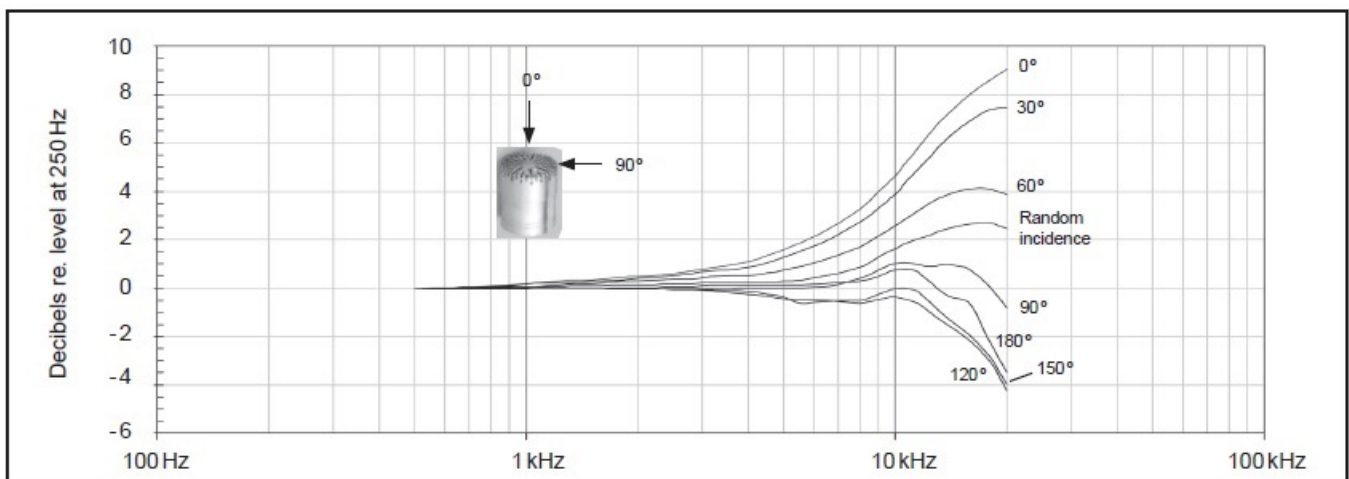
Test conditions

Temperature: 20 °C

Pressure: 760mm



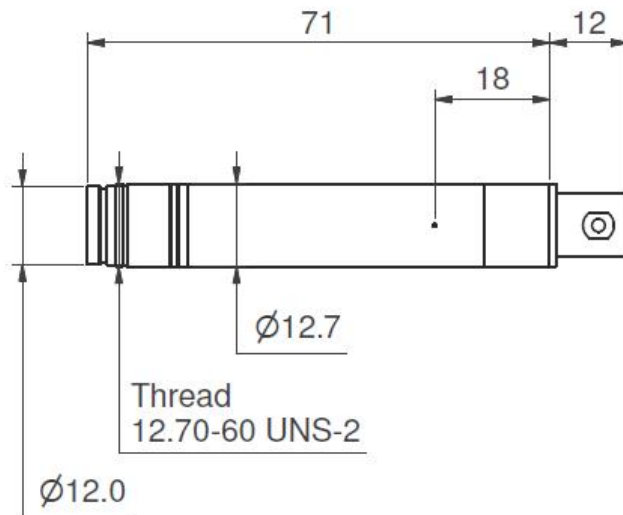
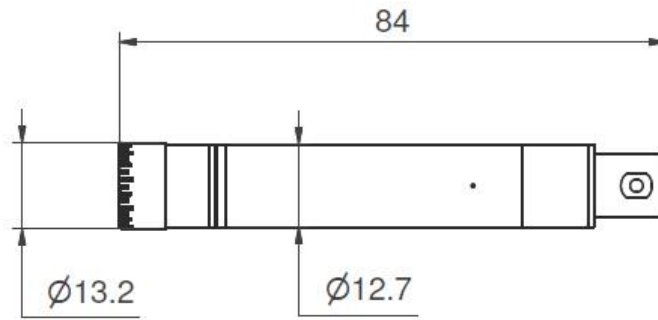
Typical frequency response. Upper curve shows free-field response for 0°, lower curve shows pressure response.



Free-field corrections for different angles of incidence

GRAS Sound & Vibration reserves the right to change specifications without notice.

Dimensions in mm



GRAS 46AE	½ CCP Free-field Microphone Set. This is the "standard" rear-vented version.
GRAS 46AE-FV	½ CCP Free-field Microphone Set, Front Vented. Identical to 46AE, but with front venting.

Optional items

GRAS RA0122	Random Incidence Corrector
GRAS AA0035	3 m BNC - BNC Cable
GRAS AL0008	1/2" Microphone Holder, POM
GRAS AL0012	1/2" Microphone Holder, Stainless Steel
GRAS AL0005	Swivel head
GRAS AL0006	Tripod
GRAS RA0020	1/2" Nosecone
GRAS AM0069	Windscreen for 1/2" Microphones
GRAS RA0131	1/2" Rain protection cap
GRAS 12AL	1-Channel CCP Power Module with A-weighting filter
GRAS 12AQ	2-Channel Universal Power Module with signal conditioning and PC interface
GRAS 42AG	Multifunction Sound Calibrator, Class 1
GRAS 42AP	Intelligent Pistonphone, Class 0
GRAS CA0029	Traceable Calibration of Microphone Set
GRAS CA2301	Accredited Calibration of Microphone Set

GRAS Sound & Vibration reserves the right to change accessories without notice.

GRAS Worldwide

Subsidiaries and distributors in more than 40 countries

HEAD OFFICE, DENMARK
GRAS SOUND & VIBRATION
Skovlytoften 33
2840 Holte
Denmark
Tel: +45 4566 4046
www.GRASacoustics.com
gras@grasacoustics.com

USA
GRAS SOUND & VIBRATION
9290 SW Nimbus Avenue
Beaverton, OR 97008
Tel: 503-627-0832
Toll Free: 800-231-7350
www.GRASacoustics.com
sales-usa@grasacoustics.com

UK
GRAS SOUND & VIBRATION
Unit 115, Gibson House,
Ermine Business Park, Huntingdon,
Cambridgeshire, PE29 6XU
Tel: +44 (0) 7762 584 202
www.GRASacoustics.com
sales-uk@grasacoustics.com

CHINA
GRAS SOUND & VIBRATION
Room 315, RuiBo Center(T1)
Lane683, Shenhong Rd,
Minhang District,
Shanghai, China, 201107
Tel: +86 21 64203370
www.GRASacoustics.cn
cnsales@grasacoustics.com



About GRAS Sound & Vibration

GRAS is a worldwide leader in the sound and vibration industry. We develop and manufacture state-of-the-art measurement microphones and related equipment for industries where acoustic measuring accuracy and repeatability are of the utmost importance. This includes applications and solutions for customers within the fields of aerospace, automotive, audiology, consumer electronics and other highly demanding industries. GRAS microphones are designed to live up to the high quality, durability and accuracy that our customers have come to expect, trust and require.

GRAS Sound & Vibration is represented through subsidiaries and distributors in more than 40 countries and is part of Axiometrix Solutions, a leading test solutions provider comprised of globally recognized measurement brands. Read more at www.grasacoustics.com

grasacoustics.com

GRAS
An Axiometrix Solutions Brand