

# GRAS 40BD-FV

1/4" Prepolarized Pressure Microphone, Front Vented



Freq range: 5 Hz to 70 kHz  
Dyn range: 44 dB(A) to 174 dB  
Sensitivity: 1.6 mV/Pa

The 40BD-FV is an IEC 61094 WS3P 1/4" prepolarized pressure microphone with front venting. It is a high-precision condenser microphone made according to IEC 61094-4 requirements. Its low sensitivity makes it ideal for sound measurements at high sound pressure levels of up to 166 dB. Its small size reduces the effects of diffraction and reflections around the microphone, resulting in a frequency range that extends up to 70 kHz.

**NOTE:** Optimized for use without protection grid—remove grid before measuring.

## Introduction

The 40BD-FV is an IEC 61094 WS3P ¼" prepolarized pressure microphone with front venting. Read about the externally polarized equivalent [ [GRAS 40BP-FV](#) ]

It is a high-precision condenser microphone made according to IEC 61094-4 requirements. Its low sensitivity makes it ideal for sound measurements at high frequencies and high sound pressure levels of up to 174 dB. Its small size reduces the effects of diffraction and reflections around the microphone, resulting in a frequency range that extends up to 70 kHz.

**NOTE:** At low frequencies, protection grids are acoustically transparent; however, around 20 kHz and above, protection grids can act as resonators and influence the frequency response. So for higher frequency measurements, ¼" and ⅛" microphones have been optimized for use without the protection grid. Please remove the protection grid when measuring.

40BD-FV is individually factory calibrated and delivered with a calibration chart stating its specific open-circuit sensitivity and pressure frequency response.

## Typical applications and use

The 40BD-FV is ideal for sound pressure measurements, as well as high frequency and high level pressure measurements. It is suitable for general purpose acoustic measurements in couplers and at boundaries. 40BD-FV is included in the GRAS 46BD-FV ¼" Pressure microphone set.

## Compatibility

The 40BD-FV requires a standardized ½" or ¼" CCP preamplifier and an input module that supports this technology with a BNC, SMB, or Microdot connector.

## System verification

For daily verification and check of your measurement setup, we recommend using a calibrator like GRAS Sound Level Calibrator 42AG.

For proper sensitivity calibration, we recommend using a pistonphone like GRAS Intelligent Pistonphone 42AP.

## Quality and warranty

All GRAS microphones are made of high-quality materials that will ensure life-long stability and robustness. The microphones are all assembled in verified clean-room environments by skilled and dedicated operators with many years of expertise in this field.

The microphone diaphragm, body, and improved protection grid are made of high-grade stainless steel, which makes the microphone resistant to physical damage, as well as corrosion caused by aggressive air or gasses.

This, combined with the reinforced gold-plated microphone terminal which guarantees a highly reliable connection, enables GRAS to offer a five-year warranty against defective materials and workmanship.

## Service

If you accidentally damage the diaphragm on a GRAS microphone, we can—in most cases—replace it at a very reasonable cost and with a short turn-around time. This not only protects your investment, but also pleases your quality assurance department because you don't have to worry about new serial numbers, etc.

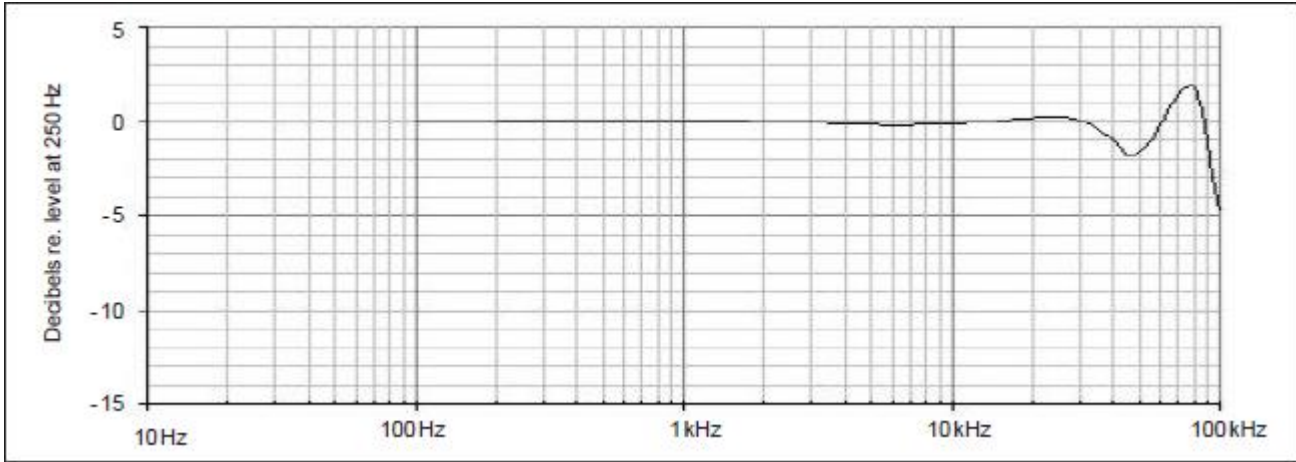
## Calibration

Before leaving the factory, all GRAS microphones are calibrated in a controlled laboratory environment

using traceable calibration equipment.

Depending on the use, measurement environment, and internal quality control programs, we recommend recalibrating the microphone at least once a year.

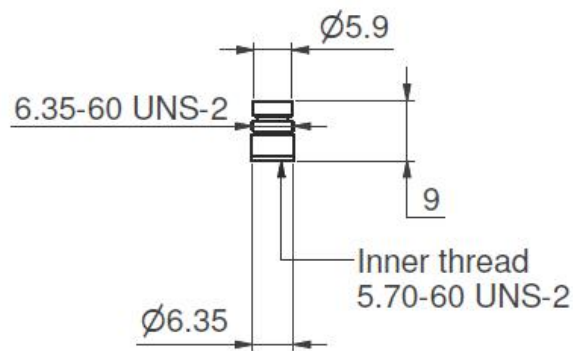
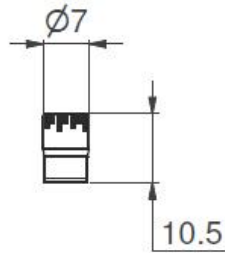
Polarization/Connection		0 V / CCP
Frequency range ( $\pm 1$ dB)	Hz	10 to 25 k
Frequency range ( $\pm 2$ dB)	Hz	5 to 70 k
Dynamic range lower limit (microphone thermal noise)	dB(A)	34
Dynamic range lower limit with GRAS preamplifier	dB(A)	44
Dynamic range upper limit with GRAS preamplifier @ +28 V / $\pm 14$ V power supply	dB	166
Dynamic range upper limit with GRAS preamplifier @ +120 V / $\pm 60$ V power supply	dB	174
Dynamic range upper limit with GRAS CCP preamplifier	dB	166
Open-circuit sensitivity @ 250 Hz ( $\pm 3$ dB)	mV/Pa	1.6
Open-circuit sensitivity @ 250 Hz ( $\pm 3$ dB)	dB re 1V/Pa	-56
Resonance frequency	kHz	50
Microphone cartridge capacitance, typ.	pF	7
Microphone venting		Front
IEC 61094-4 Designation		WS3P
Temperature range, operation	$^{\circ}\text{C}$ / $^{\circ}\text{F}$	-40 to 120 / -40 to 248
Temperature range, storage	$^{\circ}\text{C}$ / $^{\circ}\text{F}$	-40 to 85 / -40 to 185
Temperature coefficient @250 Hz	dB/ $^{\circ}\text{C}$ / dB/ $^{\circ}\text{F}$	-0.01 / -0.006
Humidity range non condensing	% RH	0 to 90
Static pressure coefficient @250 Hz	dB/kPa	-0.008
Humidity coefficient @250 Hz	dB/% RH	-0.001
Influence of axial vibration @1 m/s <sup>2</sup>	dB re 20 $\mu\text{Pa}$	55
CE/RoHS compliant/WEEE registered		Yes / Yes, Yes
Weight	g / oz	1.5 / 0.053



*Typical frequency response (without protection grid)*

GRAS Sound & Vibration reserves the right to change specifications and accessories without notice.

Dimensions in mm



# GRAS Worldwide

Subsidiaries and distributors in more than 40 countries

**HEAD OFFICE, DENMARK**  
**GRAS SOUND & VIBRATION**  
Skovlytoften 33  
2840 Holte  
Denmark  
Tel: +45 4566 4046  
[www.GRASacoustics.com](http://www.GRASacoustics.com)  
[gras@grasacoustics.com](mailto:gras@grasacoustics.com)

**USA**  
**GRAS SOUND & VIBRATION**  
9290 SW Nimbus Avenue  
Beaverton, OR 97008  
Tel: 503-627-0832  
Toll Free: 800-231-7350  
[www.GRASacoustics.com](http://www.GRASacoustics.com)  
[sales-usa@grasacoustics.com](mailto:sales-usa@grasacoustics.com)

**UK**  
**GRAS SOUND & VIBRATION**  
Unit 115, Gibson House,  
Ermine Business Park, Huntingdon,  
Cambridgeshire, PE29 6XU  
Tel: +44 (0) 7762 584 202  
[www.GRASacoustics.com](http://www.GRASacoustics.com)  
[sales-uk@grasacoustics.com](mailto:sales-uk@grasacoustics.com)

**CHINA**  
**GRAS SOUND & VIBRATION**  
Room 315, RuiBo Center(T1)  
Lane683, Shenhong Rd,  
Minhang District,  
Shanghai, China, 201107  
Tel: +86 21 64203370  
[www.GRASacoustics.cn](http://www.GRASacoustics.cn)  
[cnsales@grasacoustics.com](mailto:cnsales@grasacoustics.com)



## About GRAS Sound & Vibration

GRAS is a worldwide leader in the sound and vibration industry. We develop and manufacture state-of-the-art measurement microphones and related equipment for industries where acoustic measuring accuracy and repeatability are of the utmost importance. This includes applications and solutions for customers within the fields of aerospace, automotive, audiology, consumer electronics and other highly demanding industries. GRAS microphones are designed to live up to the high quality, durability and accuracy that our customers have come to expect, trust and require.

GRAS Sound & Vibration is represented through subsidiaries and distributors in more than 40 countries and is part of Axiometrix Solutions, a leading test solutions provider comprised of globally recognized measurement brands. Read more at [www.grasacoustics.com](http://www.grasacoustics.com)

[grasacoustics.com](http://grasacoustics.com)

**GRAS**  
An Axiometrix Solutions Brand