

GRAS 45CC

Headphone Test Fixture



[IEC 60318-1 ear simulators](#)
[IEC 60318-4 ear simulators](#)
[Human-like pinna](#)
[Easy in situ calibration](#)

45CC with TEDS is a flexible and configurable platform for dual-channel testing of headphones and headsets. It has multiple configuration options: microphones, IEC 60318-1 and IEC 60318-4 ear simulators, anthropometric pinnae and optional ITU-T P.51 mouth simulator. It can be adjusted very precisely to support different headphone/headset designs and sizes for high accuracy and repeatability. It is well suited for Research and Development, Production Engineering, Quality Control and Production Line testing.

GRAS 45CC Headphone Test Fixture

The GRAS 45CC Headphone Test Fixture is for dual-channel testing of headphones and headsets and is built on our vast experience in the field. With a focus on multiple configuration options and accurate, reproducible, and repeatable test results, the test fixture can easily be adapted to many different headphone/headset designs and sizes.

Main features

- Dual-channel testing of headphones and headsets, from 3.15 Hz to 70 kHz
- Realistic human-like pinna for testing in-ear and insert earphones
- Multiple configuration options: microphones, IEC 60318-1 and IEC 60318-4 ear simulators, and human-like pinnae—with or without the optional mouth simulator
- Distance between ears adjustable from 130 to 170 mm
- Headband holder height adjustable from 75 to 135 mm
- Reproducible and repeatable positioning of DUT using 45CC's unique positioning guides
- High-quality measurement microphones
- Expand testing to headsets with the optional [ITU-T Rec. P51 mouth simulator](#)

All adjustments to headband position and height, as well as the distance between the ear plates, can be done quickly and accurately.

Precise scales make it easy to document all settings accurately, be it the headband position, the width between ears, or the position of the positioning guide. This makes it easy to set up other 45CCs across multiple test stations as duplicates of the

original setup used in specifying testing.

Once the test fixture has been adjusted to fit a certain headphone, the design of the headband holder, ear plates and the unique positioning system ensure that when testing identical headphones you will get the same positioning and fit from one test to the next. Therefore repeatability in a production line testing environment will be second to none with the 45CC. This makes the 45CC the unrivaled choice for demanding Quality Control and Production Line applications, but can also be used for Research and Development.

TEDS Compatibility

All 45CC configurations are IEEE 1451.4 TEDS v. 1.0 compliant. If your measurement platform supports Transducer Electronic Data Sheets (TEDS), you will be able to read and write data like properties and calibration data.

The Configurations

For your convenience, we have made 45CC available in a number of configurations to suit specific testing needs. Each configuration comes with the mounting needed to incorporate the [optional mouth simulator for testing headsets](#).

The configurations are:

Basic 2-channel acoustic headphone and headset test fixture for basic tests where no acoustic loading is needed

Flush-mounted $\frac{1}{2}$ microphones: Excellent for scenarios such as quick turnaround prototype refinement

45CC-1 with Externally Polarized $\frac{1}{2}$ Microphones
45CC-2 with Prepolarized $\frac{1}{2}$ Microphones

GRAS 45CC test fixtures configured with $\frac{1}{2}$ externally polarized or prepolarized microphones that are primarily intended as tools for Quality Control and Production Line testing of headphones.

Basic 2-channel acoustic headphone and headset test fixture for basic tests where no acoustic loading is needed but where frequencies above 20 kHz (up to 70 kHz) are also of interest

Flush-mounted $\frac{1}{4}$ microphones: Ideal for quick prototype refinement of hi-res on- or around-ear headphones.

45CC-9 with Externally Polarized $\frac{1}{4}$ Microphones
45CC-10 with Prepolarized $\frac{1}{4}$ Microphones

GRAS 45CC Headphone Test Fixtures configured with $\frac{1}{4}$ externally polarized or prepolarized microphones extend the frequency range to 70 kHz for high-frequency testing.

2-channel acoustic headphone and headset test fixture with artificial ear simulators for test scenarios that require acoustic loading and adherence with IEC 60318-1

Ear simulators and $\frac{1}{2}$ microphones: Designed for testing on-ear and around-ear headphones in environments that require a highly durable ear simulator

45CC-3 with IEC 60318-1 Ear Simulators and Ext. Polarized $\frac{1}{2}$ Microphones
45CC-4 with IEC 60318-1 Ear Simulators and Prepolarized $\frac{1}{2}$ Microphones

GRAS 45CC Headphone Test Fixture configurations

with IEC60318-1 ear simulators and $\frac{1}{2}$ externally polarized or prepolarized microphones are primarily intended as tools for Quality Control, Production Engineering and Production Line headphone testing. When testing according to IEC 60318-1 the acoustical load from an ear simulator is required.

Human-like 2-channel acoustic headphone and headset test fixture with ear simulators and realistic pinnae for test scenarios that require acoustic loading and adherence with IEC60318-4

Pinnae and ear simulators: Designed for testing any headphone type, including in-ear and inserts, requiring realistic human acoustic loading and ear geometry

45CC-14 with IEC 60318-4 Ear Simulators, Pinnae and Ext. Polarized Microphones
45CC-15 with IEC 60318-4 Ear Simulators, Pinnae and Prepolarized Microphones

GRAS 45CC Headphone Test Fixture configurations with IEC60318-4 ear simulators and realistic pinnae with accurate ear geometry are available with externally polarized or prepolarized microphones. They are primarily intended as tools for Quality Control and Production Engineering when testing according to IEC 60318-4 the acoustical load from an ear simulator is required. These configurations can be used to test any style of headphone or headset (with the optional GRAS 44AA or 44AB Mouth Simulator), including in-ear and insert earphones.

Human-like high-frequency 2-channel acoustic headphone

and headset test fixture with ear simulators and realistic pinnae for test scenarios that require acoustic loading and adherence with IEC60318-4 at higher frequencies

Pinnae and ear simulators: Designed for high-frequency testing of any headphone type, including in-ear and inserts, requiring realistic human acoustic loading and ear geometry

45CC-16 with High-frequency IEC 60318-4 Ear Simulators, Pinnae and Ext. Polarized Microphones

45CC-17 with High-frequency IEC 60318-4 Ear Simulators, Pinnae and Prepolarized Microphones

GRAS 45CC Headphone Test Fixture configurations with IEC60318-4 ear simulators and realistic pinnae with accurate ear geometry are available with externally polarized or prepolarized microphones. They are primarily intended as tools for Quality Control and Production Engineering when testing according to IEC 60318-4 the acoustical load from an ear simulator is required. These configurations can be used to test any style of headphone or headset (with the optional GRAS 44AA or 44AB Mouth Simulator), including in-ear and insert earphones.

Human-like high-resolution 2-channel acoustic headphone and headset test fixture with ear simulators and realistic pinnae for test scenarios that require acoustic loading and adherence with IEC60318-4 at higher resolutions

Pinnae and ear simulators: Designed for high-resolution testing of any headphone type, including in-ear and inserts, requiring realistic human acoustic

loading and ear geometry

45CC-18 with High-resolution IEC 60318-4 Ear Simulators, Pinnae and Ext. Polarized Microphones

45CC-19 with High-resolution IEC 60318-4 Ear Simulators, Pinnae and Prepolarized Microphones

GRAS 45CC Headphone Test Fixture configurations with IEC60318-4 ear simulators and realistic pinnae with accurate ear geometry are available with externally polarized or prepolarized microphones. They are primarily intended as tools for Quality Control and Production Engineering when testing according to IEC 60318-4 the acoustical load from an ear simulator is required. These configurations can be used to test any style of headphone or headset (with the optional GRAS 44AA or 44AB Mouth Simulator), including in-ear and insert earphones.

Warranty

GRAS offers a five-year warranty against defective materials and workmanship.

Service

If you accidentally damage the diaphragm on a GRAS microphone, we can—in most cases—replace it at a very reasonable cost and with a short turn-around time. This not only protects your investment but also pleases your quality assurance department because you don't have to worry about new serial numbers, etc.

Calibration

Before leaving the factory, all GRAS microphones are calibrated in a controlled laboratory environment using traceable calibration equipment.

Depending on the use, measurement environment, and internal quality control programs, we recommend recalibrating the microphone at least

once a year.

CE/RoHS compliant/WEEE registered		yes/yes/yes
CONFIGURATIONS 1-4 and 14-17		
Microphone Size		½
Sensitivity	mV/Pa	12.5
Frequency Response (±2 dB)	Hz	3.15 - 20 k
Dynamic range - 40AG (with 26AC preamp)	dB	25 dB(A) - 164
Dynamic range - 40AO (with 26CK preamp)	dB	25 dB(A) - 150
Applicable Standards for Configurations 3 and 4		WS2P ANSI S3.7 IEC 60318-1 ITU-T Rec. P.57 type 1 artificial ear
Applicable Standards for: GRAS RA0045 Ear Simulator (Config. 14) GRAS RA0045-S1 Ear Simulator (Config. 15) GRAS RA0401 Ear Simulator (Config. 16) GRAS RA0402 Ear Simulator (Config. 17)		WS2P ANSI S3.7 IEC 60318-4 ITU-T Rec. P.57 type 3.3 artificial ear
CONFIGURATIONS 9 and 10		
Microphone Size		¼
Sensitivity	mV/Pa	1.6
Frequency Response (±2 dB)	Hz	4 - 70 k
Dynamic range - 40BP (with 26AC preamp)	dB	39 dB(A) - 169
Dynamic range - 40BD (with 26CS preamp)	dB	44 dB(A) - 166
Standard		WS3P
CONFIGURATIONS 18 and 19		
Microphone Size		¼
Sensitivity	mV/Pa	1.6
Frequency Response (±2 dB)	Hz	100 - 50 k
Dynamic range - matching 26AC-1 preamp	dB	44 dB(A) - 169
Dynamic range - matching 26CB preamp	dB	44 dB(A) - 166

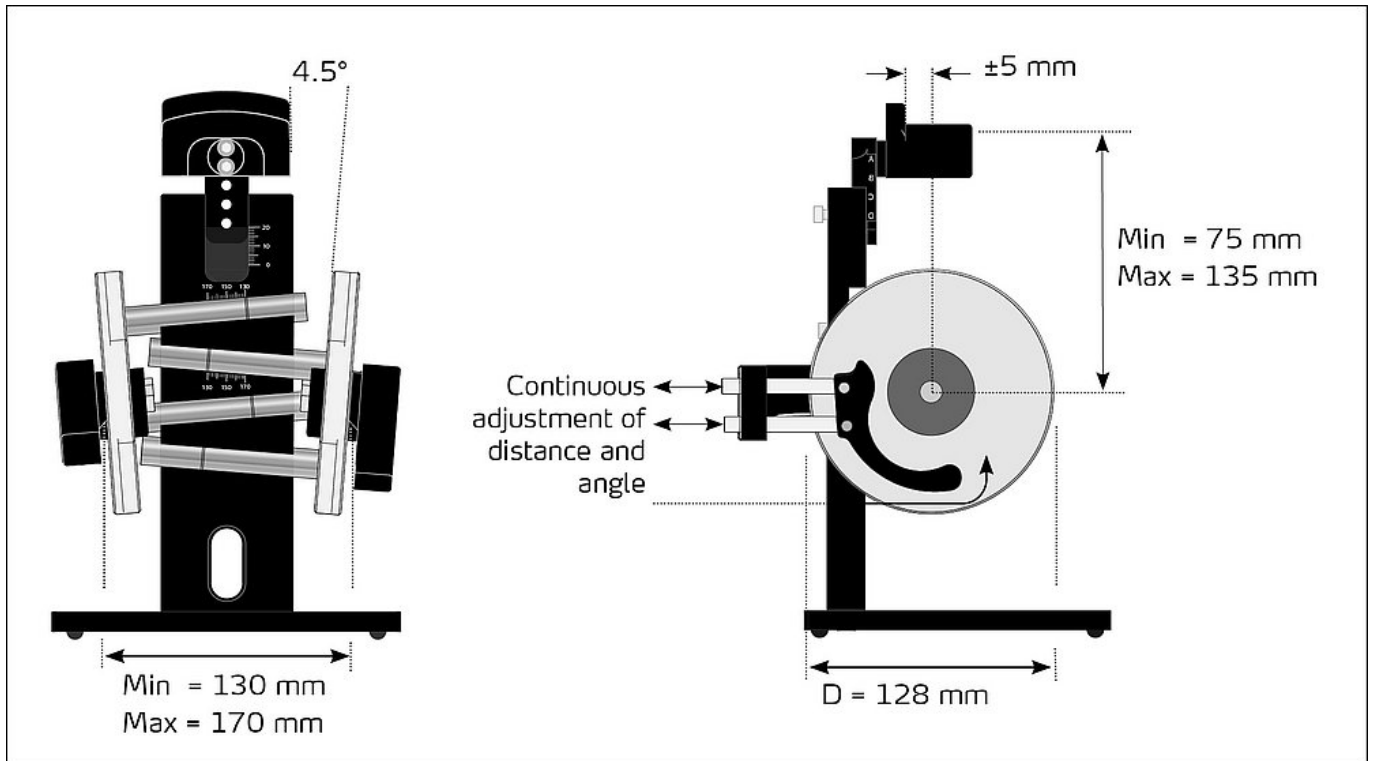
Applicable Standards for:
GRAS RA0401 Ear Simulator (Config. 18)
GRAS RA0402 Ear Simulator (Config. 19)

WS2P
 ANSI S3.7
 IEC 60318-4
 ITU-T Rec. P.57 type 3.3 artificial ear

TEST FIXTURE

Width between ears	mm	Adjustable from 130 to 170
Height of headband holder	mm	Adjustable from 75 to 135
Horizontal position of headband holder	mm	Adjustable +/- 5
Ear plate angle	°	4.5 (ISO 4869-3)
Diameter of ear plate	mm	128
Positioning guides		Continuous adjustment of horizontal and vertical position. Two-point support for all headphone sizes
Weight	kg	3

GRAS Sound & Vibration reserves the right to change specifications without notice.



Included items

45CC-1—with Externally Polarized Microphones

45CC	Test fixture
GRAS 69CC-1	LEMO Pressure Mic. Set for 45CC , 2 pcs, each comprising:
GRAS 40AG	½ Ext. Polarized Pressure Microphone
GRAS 26AC-1	Standard Preamplifier with 3 m Integrated Cable
GRAS GR0010	Adapter for ¼ preamplifier and ½ microphone

45CC-2—with Prepolarized Microphones

45CC	Test fixture
GRAS 69CC-2	Pressure Mic. Set for 45CC, 2 pcs, each comprising:
GRAS 40AO	½ Prepolarized Pressure Microphone
GRAS 26CK	½ CCP Preamplifier with Microdot Connector, Very Short
GRAS AA0070	3 m Microdot-BNC Cable, 2 pcs

45CC-3—with IEC 60318-1 Ear Simulators and Externally Polarized Microphones

45CC	Test fixture
GRAS RA0039	IEC 60318-1 Ear Simulator, 2 pcs
GRAS 69CC-1	LEMO Pressure Mic. Set for 45CC, 2 pcs, each comprising:
GRAS 40AG	½ Ext. Polarized Pressure Microphone
GRAS 26AC-1	Standard Preamplifier with 3 m Integrated Cable
GRAS GR0010	Adapter for ¼ preamplifier and ½ microphone

45CC-4—with IEC 60318-1 Ear Simulators and Prepolarized Microphones

45CC	Test fixture
GRAS RA0039	IEC 60318-1 Ear Simulator, 2 pcs
GRAS 69CC-2	CCP Pressure Mic. Set for 45CC, 2 pcs, each comprising:

GRAS 40AO	½ Prepolarized Pressure Microphone
GRAS 26CK	½ CCP Preamplifier with Microdot Connector, Very Short
GRAS AA0070	3 m Microdot-BNC Cable, 2 pcs

45CC-9—with Externally Polarized 1/4" Microphones

45CC	Test fixture
GRAS 69CC-3	LEMO Pressure Mic. Set for 45CC, 2 pcs, each comprising:
GRAS 40BP	¼ Ext. Polarized Pressure Microphone
GRAS 26AC-1	Standard ¼ Preamplifier with 3 m Integrated Cable
GRAS GR2039	¼ Microphone Holder

45CC-10—with Prepolarized ¼" Microphones

45CC	Test fixture
GRAS 69CC-4	CCP Pressure Mic. Set for 45CC, 2 pcs, each comprising:
GRAS 40BD	¼ Prepolarized Pressure Microphone
GRAS 26CS	¼ CCP Preamplifier with Microdot Connector, Very Short
GRAS AA0070	3 m Microdot-BNC Cable, 2 pcs

45CC-14—with IEC 60318-4 Ear Simulators, Pinnae and Externally Polarized Microphones

45CC	Test fixture
GRAS AA0035	BNC-BNC Cable
GRAS 69CC-5	Externally Polarized IEC 60318-4 Ear Simulator incl. Angle Adaptor and Preamplifier, 2 pcs, each comprising:
GRAS RA0045	IEC 60318-4 Ear Simulator, Externally Polarized
RA0002	Right-angled Adjustable adaptor for ½ microphone and ¼ Preamplifier
GRAS 40AG	½ Externally Polarized Pressure Microphone

26AC-1 UN	¼ Standard Preamplifier with Integ Connector
AA0091	3 m LEMO 5-pin to LEMO 7-pin Cable

45CC-15—with IEC 60318-4 Ear Simulators, Pinnae and Prepolarized Microphones

45CC	Test fixture
GRAS AA0035	BNC-BNC Cable
GRAS 69CC-6	Prepolarized IEC 60318-4 Ear Simulator incl. Angle Adaptor and Preamplifier, 2 pcs, each comprising
GRAS RA0045-S1	IEC 60318-4 Ear Simulator, Prepolarized
RA0002	Right-angled Adjustable adator for ½ microphone and ¼ Preamplifier
GRAS 40AO	½ Prepolarized Pressure Microphone
26CB UN	¼ CCP Preamplifier
AA0070	3 m Microdot-BNC Cable

45CC-16—with High-frequency Ear Simulators, Pinnae and Externally Polarized Microphones

45CC	Test fixture
GRAS AA0035	BNC-BNC Cable
GRAS 69CC-7	Exteranlly Polarized High-frequency 711 Ear Simulator assembly, 2 pcs, each comprising:
GRAS RA0401	High-frequency Ear Simulator, Externally polarized
RA0002	Right-angled Adjustable adator for ½ microphone and ¼ Preamplifier
GRAS 40AG	½ Ext. Polarized Pressure Microphone
26AC-1 UN	¼ Standard Preamplifier with Integ Connector
AA0091	3 m LEMO 5-pin to LEMO 7-pin Cable

45CC-17—with High-frequency Ear Simulators, Pinnae and Prepolarized Microphones

45CC	Test fixture
GRAS AA0035	BNC-BNC Cable

GRAS 69CC-8	Prepolarized High-frequency 711 Ear Simulator assembly, 2 pcs, each comprising:
GRAS RA0402	High-frequency Ear Simulator, Prepolarized
RA0002	Right-angled Adjustable adator for ½ microphone and ¼ Preamplifier
GRAS 40AO	½ Prepolarized Pressure Microphone
26CB UN	¼ CCP Preamplifier
AA0070	3 m Microdot-BNC Cable

Optional items

GRAS 44AA-1	Mouth Simulator according to ITU-T Rec. P51 with built-in power amplifier
GRAS 44AB-1	Mouth Simulator according to ITU-T Rec. P51

GRAS Sound & Vibration reserves the right to change accessories without notice.

GRAS Worldwide

Subsidiaries and distributors in more than 40 countries

HEAD OFFICE, DENMARK
GRAS SOUND & VIBRATION
Skovlytoften 33
2840 Holte
Denmark
Tel: +45 4566 4046
www.GRASacoustics.com
gras@grasacoustics.com

USA
GRAS SOUND & VIBRATION
9290 SW Nimbus Avenue
Beaverton, OR 97008
Tel: 503-627-0832
Toll Free: 800-231-7350
www.GRASacoustics.com
sales-usa@grasacoustics.com

UK
GRAS SOUND & VIBRATION
Unit 115, Gibson House,
Ermine Business Park, Huntingdon,
Cambridgeshire, PE29 6XU
Tel: +44 (0) 7762 584 202
www.GRASacoustics.com
sales-uk@grasacoustics.com

CHINA
GRAS SOUND & VIBRATION
Room 315, RuiBo Center(T1)
Lane683, Shenhong Rd,
Minhang District,
Shanghai, China, 201107
Tel: +86 21 64203370
www.GRASacoustics.cn
cnsales@grasacoustics.com



About GRAS Sound & Vibration

GRAS is a worldwide leader in the sound and vibration industry. We develop and manufacture state-of-the-art measurement microphones and related equipment for industries where acoustic measuring accuracy and repeatability are of the utmost importance. This includes applications and solutions for customers within the fields of aerospace, automotive, audiology, consumer electronics and other highly demanding industries. GRAS microphones are designed to live up to the high quality, durability and accuracy that our customers have come to expect, trust and require.

GRAS Sound & Vibration is represented through subsidiaries and distributors in more than 40 countries and is part of Axiometrix Solutions, a leading test solutions provider comprised of globally recognized measurement brands. Read more at www.grasacoustics.com

grasacoustics.com

GRAS
An Axiometrix Solutions Brand