

# GRAS 40BF

1/4" Ext. Polarized Free-field Microphone



Freq range: 4 Hz to 100 kHz  
Dyn range: 30 dB(A) to 172 dB  
Sensitivity: 4 mV/Pa

The 40BF is an IEC 61094 WS3F 1/4" externally polarized free-field microphone with rear-venting. The prepolarized equivalent is GRAS 40BE.

**NOTE:** Optimized for use without protection grid—remove grid before measuring.

## Introduction

It's a low sensitivity microphone that is ideal for high-level and high-frequency measurements. It can measure high sound pressure levels of up to 166 dB due to its low sensitivity. Its frequency range reaches up to 100 kHz due to its small size.

40BF is individually factory calibrated and delivered with a calibration chart stating its specific open-circuit sensitivity and pressure frequency response.

**NOTE:** At low frequencies, protection grids are acoustically transparent; however, around 20 kHz and above, protection grids can act as resonators and influence the frequency response. So for higher frequency measurements, 1/4" and 1/8" microphones have been optimized for use without the protection grid. Please remove the protection grid when measuring.

## Typical applications and use

The 40BF is typically used for high frequency and high-level measurements, and acoustic-transient measurements.

40BF is included in [GRAS 46BF-1](#) 1/4" Free-Field Set.

## Compatibility

The 40BF requires a standardized 1/2" or 1/4" LEMO preamplifier and an input module that supports this technology with a 7-pin LEMO connector and polarization and supply voltages for microphone and preamplifier.

## System verification

For daily verification and check of your measurement setup, we recommend using a calibrator like [GRAS 42AG](#)

For proper sensitivity calibration, we recommend using a pistonphone like [GRAS 42AP](#) Intelligent

Pistonphone.

## Calibration

When leaving the factory, all GRAS microphones have been calibrated in a controlled laboratory environment using traceable calibration equipment. Depending on the use, measurement environment and internal quality control programs we recommend that the microphone is recalibrated at least once a year.

We offer two kinds of calibration as an optional after-sales service: GRAS Traceable Calibration and GRAS Accredited Calibration.

GRAS Traceable Calibration is a traceable calibration performed by trained personnel under controlled conditions according to established procedures and standards. This is identical to the rigorous calibration that all GRAS microphones are subjected to as an integral part of our quality assurance.

GRAS Accredited Calibration is performed by the GRAS Accredited Calibration Laboratory that has been accredited in accordance with ISO 17025 by DANAK, the Danish Accreditation Fund.

If you want a new microphone set delivered with an accredited calibration in stead of the default factory calibration, specify this when ordering.

Learn more at [gras/calib](https://www.gras.com/calib).

## Quality and warranty

All GRAS microphones are made of high-quality materials that will ensure life-long stability and robustness. The microphones are all assembled in verified clean-room environments by skilled and dedicated operators with many years of expertise in this field.

The microphone diaphragm, body, and improved

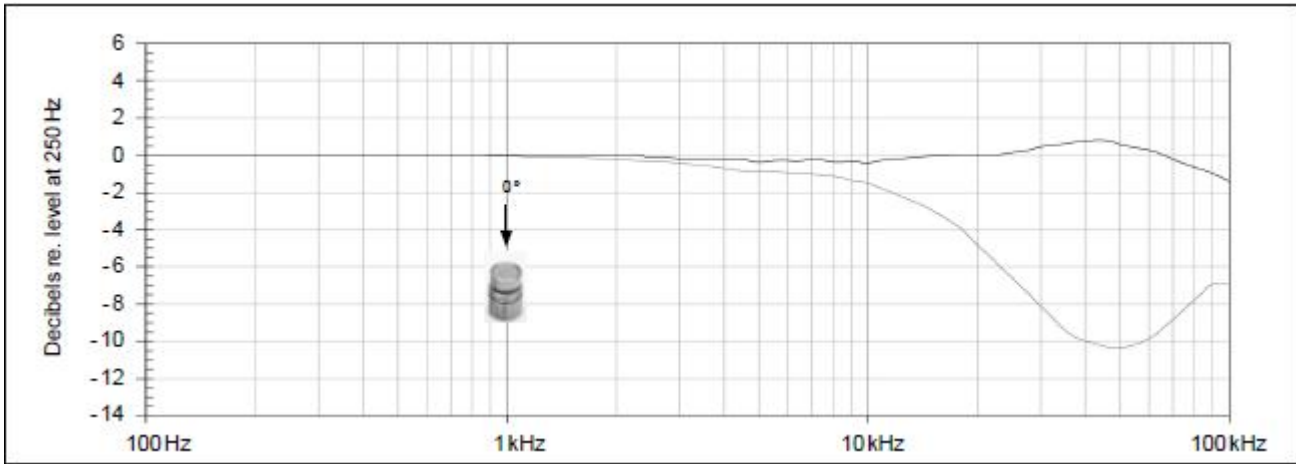
protection grid are made of high-grade stainless steel, which makes the microphone resistant to physical damage, as well as corrosion caused by aggressive air or gasses.

This, combined with the reinforced gold-plated microphone terminal which guarantees a highly reliable connection, enables GRAS to offer 5 years warranty against defective materials and workmanship.

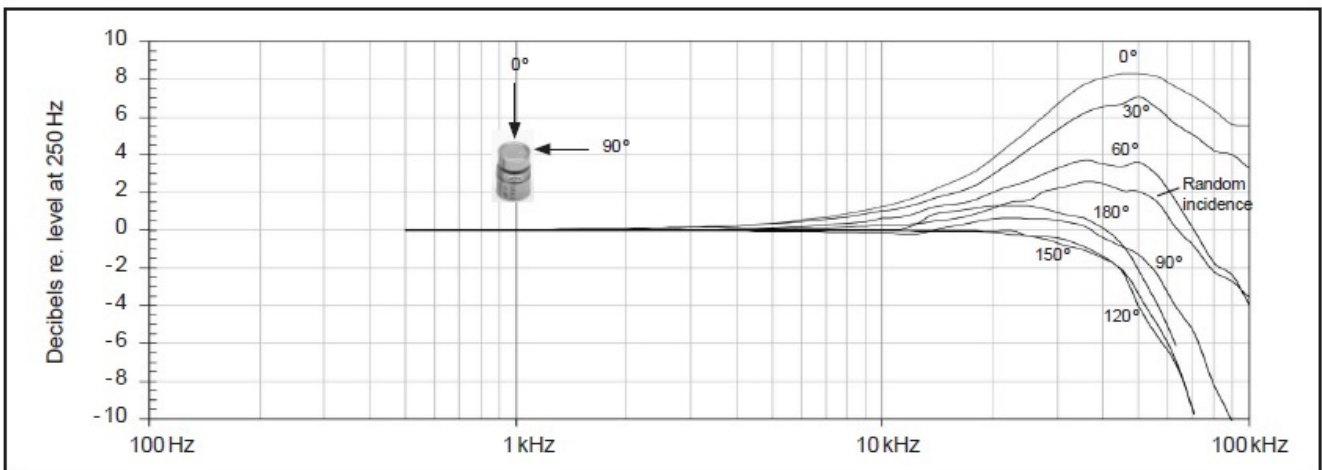
## **Service**

If you accidentally damage the diaphragm on a GRAS microphone, we can – in most cases – replace it at a very reasonable cost and with a short turn-around time. This not only protects your investment, but also pleases your quality assurance department because you don't have to worry about new serial numbers, etc.

|   |   |                         |
|---|---|-------------------------|
| Polarization/Connection   |   | 200 V / Traditional     |
| Frequency range ( $\pm 1$ dB)   | Hz  | 10 to 40 k              |
| Frequency range ( $\pm 2$ dB)   | Hz  | 4 to 100 k              |
| Dynamic range lower limit (microphone thermal noise)                                | dB(A)   | 30                      |
| Dynamic range lower limit with GRAS preamplifier                                    | dB(A)   | 35                      |
| Dynamic range upper limit   | dB  | 172                     |
| Dynamic range upper limit with GRAS preamplifier @ +28 V / $\pm 14$ V power supply  | dB  | 163                     |
| Dynamic range upper limit with GRAS preamplifier @ +120 V / $\pm 60$ V power supply | dB  | 172                     |
| Open-circuit sensitivity @ 250 Hz ( $\pm 3$ dB)                                     | mV/Pa   | 4                       |
| Open-circuit sensitivity @ 250 Hz ( $\pm 3$ dB)                                     | dB re 1V/Pa                                     | -48                     |
| Resonance frequency   | kHz   | 100                     |
| Microphone cartridge capacitance, typ.  | pF  | 7                       |
| Microphone venting  |   | Rear                    |
| Temperature range, operation  | $^{\circ}\text{C}$ / $^{\circ}\text{F}$         | -40 to 150 / -40 to 302 |
| IEC 61094-4 Designation   |   | WS2F                    |
| Temperature range, storage  | $^{\circ}\text{C}$ / $^{\circ}\text{F}$         | -40 to 85 / -40 to 185  |
| Temperature coefficient @250 Hz   | dB/ $^{\circ}\text{C}$ / dB/ $^{\circ}\text{F}$ | -0.01 / -0.006          |
| Humidity range non condensing   | % RH  | 0 to 90                 |
| Static pressure coefficient @250 Hz   | dB/kPa  | -0.02                   |
| Humidity coefficient @250 Hz  | dB/% RH   | -0.0013                 |
| Influence of axial vibration @1 m/s <sup>2</sup>                                    | dB re 20 $\mu\text{Pa}$                         | 60                      |
| CE/RoHS compliant/WEEE registered   |   | Yes / Yes, Yes          |
| Weight  | g / oz  | 1.75 / 0.062            |



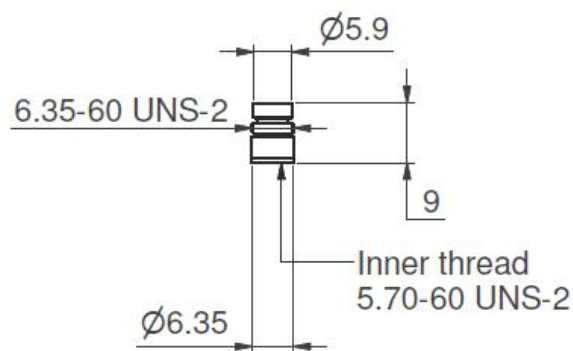
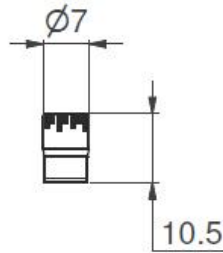
*Typical frequency response (without protection grid). Upper curve shows free-field response for 0°, lower curve shows pressure response.*



*Free-field corrections for different angles of incidence*

GRAS Sound & Vibration reserves the right to change specifications without notice.

Dimensions in mm



## Optional items

|                             |  |
|-----------------------------|--|
| <a href="#">GRAS RA0086</a> | Transmitter adapter for 1/4" microphones |
| GRAS CA0001                 | Traceable Calibration of Microphone      |
| GRAS CA2001                 | Accredited Calibration of Microphone     |

GRAS Sound & Vibration reserves the right to change accessories without notice.

# GRAS Worldwide

Subsidiaries and distributors in more than 40 countries

**HEAD OFFICE, DENMARK**  
**GRAS SOUND & VIBRATION**  
Skovlytoften 33  
2840 Holte  
Denmark  
Tel: +45 4566 4046  
[www.GRASacoustics.com](http://www.GRASacoustics.com)  
[gras@grasacoustics.com](mailto:gras@grasacoustics.com)

**USA**  
**GRAS SOUND & VIBRATION**  
9290 SW Nimbus Avenue  
Beaverton, OR 97008  
Tel: 503-627-0832  
Toll Free: 800-231-7350  
[www.GRASacoustics.com](http://www.GRASacoustics.com)  
[sales-usa@grasacoustics.com](mailto:sales-usa@grasacoustics.com)

**UK**  
**GRAS SOUND & VIBRATION**  
Unit 115, Gibson House,  
Ermine Business Park, Huntingdon,  
Cambridgeshire, PE29 6XU  
Tel: +44 (0) 7762 584 202  
[www.GRASacoustics.com](http://www.GRASacoustics.com)  
[sales-uk@grasacoustics.com](mailto:sales-uk@grasacoustics.com)

**CHINA**  
**GRAS SOUND & VIBRATION**  
Room 315, RuiBo Center(T1)  
Lane683, Shenhong Rd,  
Minhang District,  
Shanghai, China, 201107  
Tel: +86 21 64203370  
[www.GRASacoustics.cn](http://www.GRASacoustics.cn)  
[cnsales@grasacoustics.com](mailto:cnsales@grasacoustics.com)



## About GRAS Sound & Vibration

GRAS is a worldwide leader in the sound and vibration industry. We develop and manufacture state-of-the-art measurement microphones and related equipment for industries where acoustic measuring accuracy and repeatability are of the utmost importance. This includes applications and solutions for customers within the fields of aerospace, automotive, audiology, consumer electronics and other highly demanding industries. GRAS microphones are designed to live up to the high quality, durability and accuracy that our customers have come to expect, trust and require.

GRAS Sound & Vibration is represented through subsidiaries and distributors in more than 40 countries and is part of Axiometrix Solutions, a leading test solutions provider comprised of globally recognized measurement brands. Read more at [www.grasacoustics.com](http://www.grasacoustics.com)

[grasacoustics.com](http://grasacoustics.com)

**GRAS**  
An Axiometrix Solutions Brand