

# GRAS RA4800

Adapter for Sensitivity Verification of Flush/Surface  
Microphones



<meta charset="utf-8" />

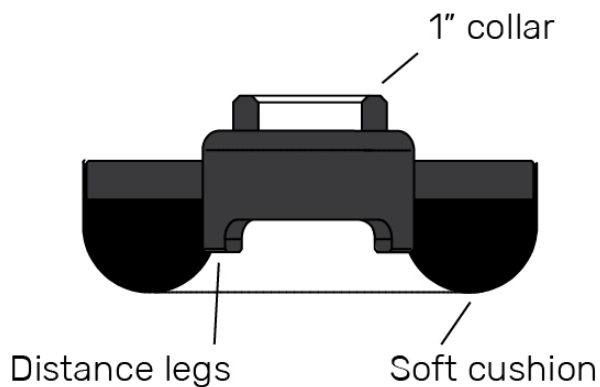
For in-situ verification of surface-mount and  
flush-mount microphones

RA4800 is a field verification adapter for UTP, surface-  
mount, and flush-mount microphones.

With this adapter, it is possible to perform quick and  
reliable verification without having to dismount the  
microphone.

RA4800 is a field verification adapter for UTP, surface-mount, and flush-mount microphones. With this adapter, it is possible to perform quick and reliable verification without having to demount the microphone.

The diameter of the adapter is wide enough to accommodate all GRAS fairings for UTP and surface-mount microphones.

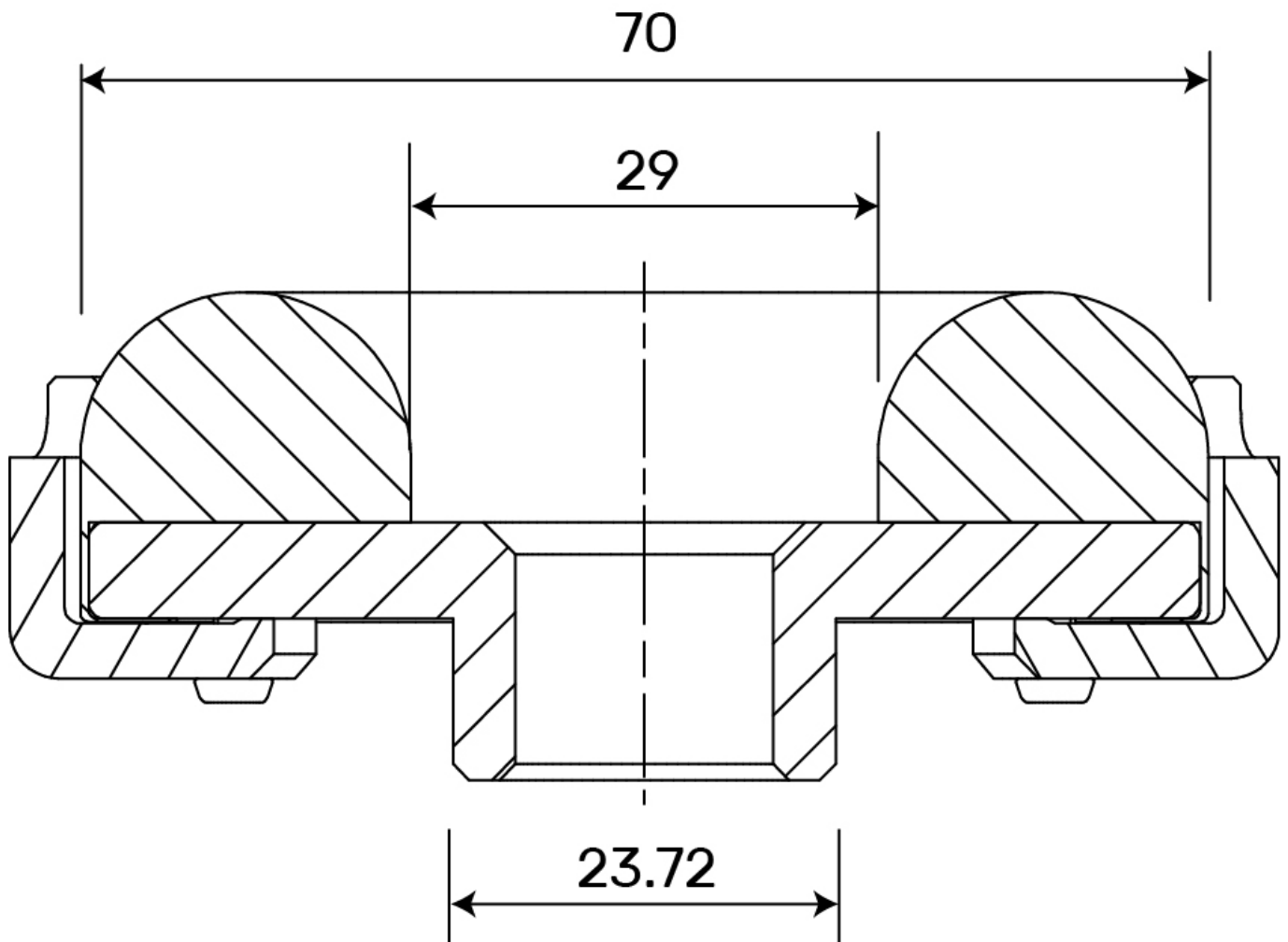


The adapter fits sound calibrators and pistonphones fitted with 1" collar.

A soft cushion similar to those found on circumaural headphones provides a closed cavity, four distance spacers (legs) make it easy to hold the calibrator stable during the verification. Also, they ensure that the volume stays the same during the verification and that the same volume can be achieved in future tests.

It is designed for verification at 250 Hz. The accuracy is within  $\pm 0.2$  dB.

All dimensions in mm



# GRAS Worldwide

Subsidiaries and distributors in more than 40 countries

**HEAD OFFICE, DENMARK**  
**GRAS SOUND & VIBRATION**  
Skovlytoften 33  
2840 Holte  
Denmark  
Tel: +45 4566 4046  
[www.GRASacoustics.com](http://www.GRASacoustics.com)  
[gras@grasacoustics.com](mailto:gras@grasacoustics.com)

**USA**  
**GRAS SOUND & VIBRATION**  
9290 SW Nimbus Avenue  
Beaverton, OR 97008  
Tel: 503-627-0832  
Toll Free: 800-231-7350  
[www.GRASacoustics.com](http://www.GRASacoustics.com)  
[sales-usa@grasacoustics.com](mailto:sales-usa@grasacoustics.com)

**UK**  
**GRAS SOUND & VIBRATION**  
Unit 115, Gibson House,  
Ermine Business Park, Huntingdon,  
Cambridgeshire, PE29 6XU  
Tel: +44 (0) 7762 584 202  
[www.GRASacoustics.com](http://www.GRASacoustics.com)  
[sales-uk@grasacoustics.com](mailto:sales-uk@grasacoustics.com)

**CHINA**  
**GRAS SOUND & VIBRATION**  
Room 315, RuiBo Center(T1)  
Lane683, Shenhong Rd,  
Minhang District,  
Shanghai, China, 201107  
Tel: +86 21 64203370  
[www.GRASacoustics.cn](http://www.GRASacoustics.cn)  
[cnsales@grasacoustics.com](mailto:cnsales@grasacoustics.com)



## About GRAS Sound & Vibration

GRAS is a worldwide leader in the sound and vibration industry. We develop and manufacture state-of-the-art measurement microphones and related equipment for industries where acoustic measuring accuracy and repeatability are of the utmost importance. This includes applications and solutions for customers within the fields of aerospace, automotive, audiology, consumer electronics and other highly demanding industries. GRAS microphones are designed to live up to the high quality, durability and accuracy that our customers have come to expect, trust and require.

GRAS Sound & Vibration is represented through subsidiaries and distributors in more than 40 countries and is part of Axiometrix Solutions, a leading test solutions provider comprised of globally recognized measurement brands. Read more at [www.grasacoustics.com](http://www.grasacoustics.com)

[grasacoustics.com](http://grasacoustics.com)

**GRAS**  
An Axiometrix Solutions Brand