

# GRAS 40EN

1" Ext. Polarized Pressure Microphone



Freq range: 2.6 Hz to 8 kHz  
Dyn range: 9.6 dBA to 146 dB  
Sensitivity: 50 mV/Pa

The 40EN is an IEC 61094 WS1P 1" externally polarized pressure microphone. It is a 1" pressure microphone that is ideal for measurements in couplers used for testing earphones. When flush-mounted, it can measure sound pressures at boundaries. It is highly suited as a laboratory-standard microphone.

## Introduction

The 40EN is an IEC 61094 WS1P 1" externally polarized pressure microphone.

It is a 1" pressure microphone that is ideal for measurements in couplers used for testing earphones. When flush-mounted, it can measure sound pressures at boundaries. It is highly suited as a laboratory-standard microphone.

The 40EN can be vented in three different ways to suit your application requirements.

40EN is individually factory-calibrated and delivered with a calibration chart stating its specific open-circuit sensitivity and pressure frequency response.

## Typical applications and use

The 40EN has a flexible design for venting. It is delivered as front-vented from the factory due to a special O-ring included in the microphone assembly. Using a special GRAS tool, you can replace this O-ring with a different O-ring (included) that makes the microphone rear-vented. Using both O-rings makes the microphone non-vented.

40EN is included in

- 43AF 1" 6cc Coupler Kit according to IEC 60318-3

## Compatibility

The 40EN requires a standardized ½" LEMO preamplifier and an input module that supports this technology with a 7-pin LEMO connector.

## System verification

For daily verification and check of your measurement setup, we recommend using a calibrator like GRAS Sound Level Calibrator 42AG

For proper sensitivity calibration, we recommend using a pistonphone like GRAS Intelligent

Pistonphone 42AP

## Calibration

When leaving the factory, all GRAS microphones have been calibrated in a controlled laboratory environment using traceable calibration equipment. Depending on the use, measurement environment and internal quality control programs we recommend that the microphone is recalibrated at least once a year.

We offer two kinds of calibration as an optional after-sales service: GRAS Traceable Calibration and GRAS Accredited Calibration.

GRAS Traceable Calibration is a traceable calibration performed by trained personnel under controlled conditions according to established procedures and standards. This is identical to the rigorous calibration that all GRAS microphones are subjected to as an integral part of our quality assurance.

GRAS Accredited Calibration is performed by the GRAS Accredited Calibration Laboratory that has been accredited in accordance with ISO 17025 by DANAK, the Danish Accreditation Fund.

If you want a new microphone set delivered with an accredited calibration in stead of the default factory calibration, specify this when ordering.

Learn more at [gras/calib](https://www.gras.com/calib).

## Quality and warranty

All GRAS microphones are made of high-quality materials that will ensure life-long stability and robustness. The microphones are all assembled in verified clean-room environments by skilled and dedicated operators with many years of expertise in this field.

The microphone diaphragm, body, and improved

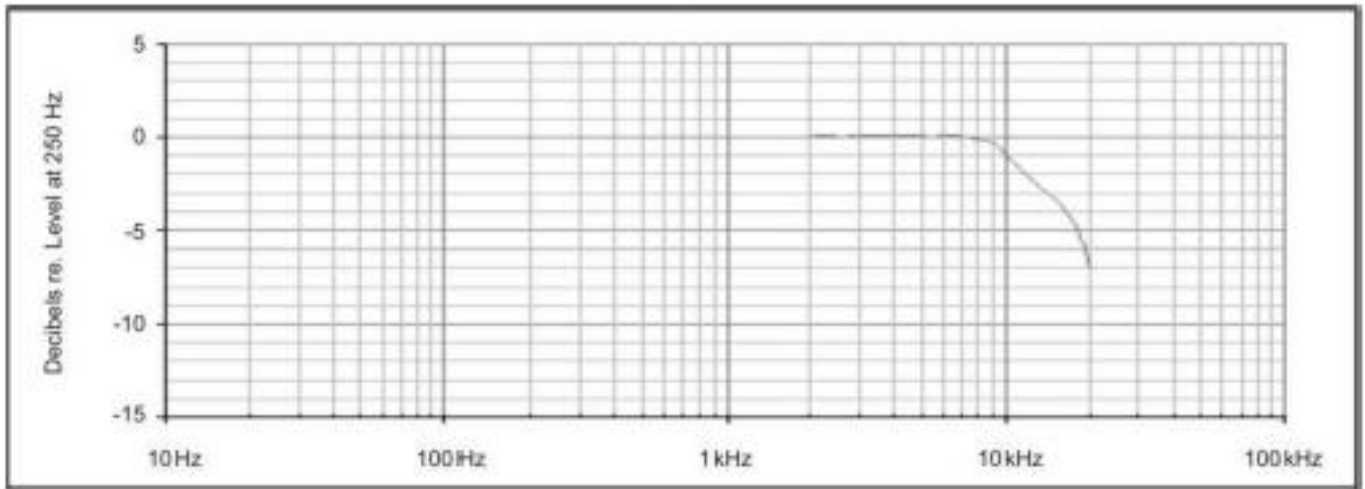
protection grid are made of high-grade stainless steel, which makes the microphone resistant to physical damage, as well as corrosion caused by aggressive air or gasses.

This, combined with the reinforced gold-plated microphone terminal which guarantees a highly reliable connection, enables GRAS to offer 5 years warranty against defective materials and workmanship.

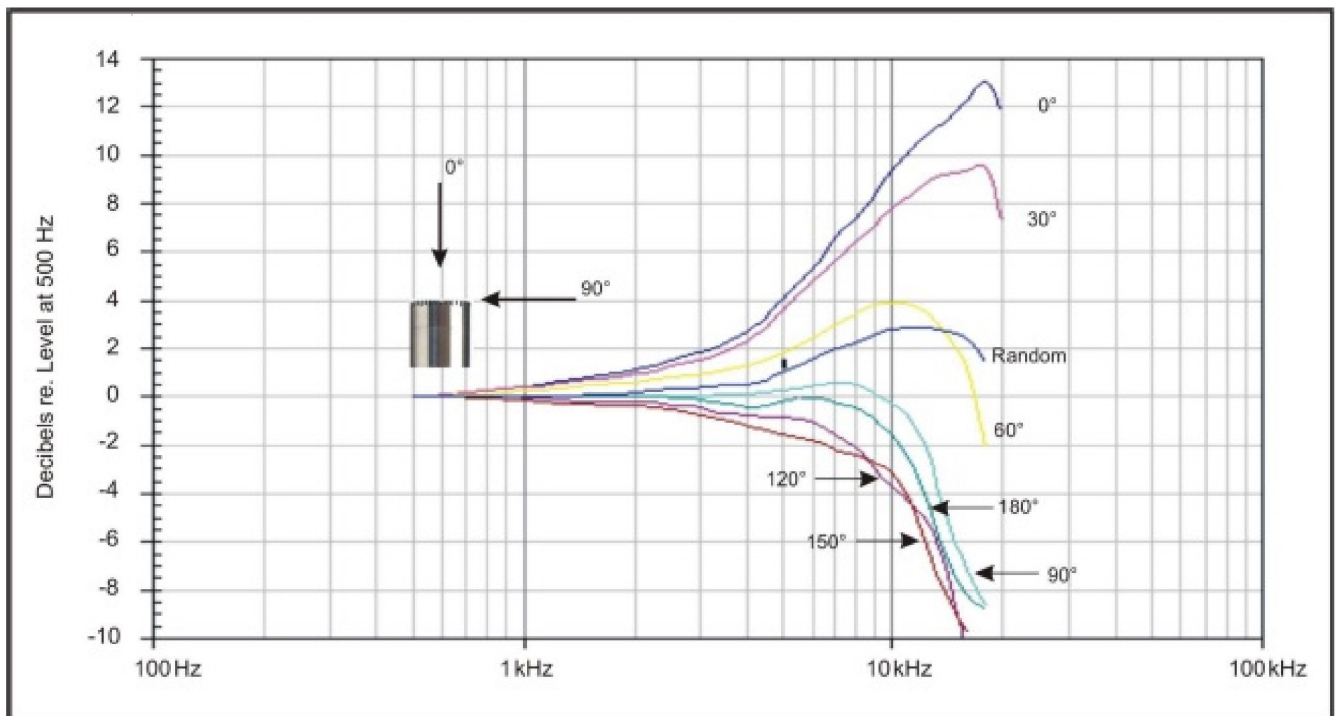
## **Service**

If you accidentally damage the diaphragm on a GRAS microphone, we can—in most cases—replace it at a very reasonable cost and with a short turn-around time. This not only protects your investment, but also pleases your quality assurance department because you don't have to worry about new serial numbers, etc.

Polarization/Connection		200 V / Traditional
Frequency range ( $\pm 2$ dB)	Hz	2.6 to 8 k
Dynamic range lower limit (microphone thermal noise)	dB(A)	9.6
Dynamic range lower limit with GRAS preamplifier	dB(A)	14
Dynamic range upper limit	dB	146
Dynamic range upper limit with GRAS preamplifier @ +28 V / $\pm 14$ V power supply	dB	142
Dynamic range upper limit with GRAS preamplifier @ +120 V / $\pm 60$ V power supply	dB	146
Open-circuit sensitivity @ 250 Hz ( $\pm 1$ dB)	mV/Pa	50
Open-circuit sensitivity @ 250 Hz ( $\pm 1$ dB)	dB re 1V/Pa	-26
Resonance frequency	kHz	8
Microphone cartridge capacitance, typ.	pF	56
Microphone venting		Rear
Temperature range, operation	$^{\circ}\text{C}$ / $^{\circ}\text{F}$	-40 to 150 / -40 to 302
IEC 61094-4 Designation		WS1P
Temperature range, storage	$^{\circ}\text{C}$ / $^{\circ}\text{F}$	-40 to 85 / -40 to 185
Humidity range non condensing	% RH	0 to 90
Temperature coefficient @250 Hz	dB/ $^{\circ}\text{C}$ / dB/ $^{\circ}\text{F}$	-0.01 / -0.006
Humidity coefficient @250 Hz	dB/% RH	-0.0013
Static pressure coefficient @250 Hz	dB/kPa	-0.016
Influence of axial vibration @1 m/s <sup>2</sup>	dB re 20 $\mu\text{Pa}$	67
CE/RoHS compliant/WEEE registered		Yes / Yes, Yes
Weight	g / oz	32 / 1.129



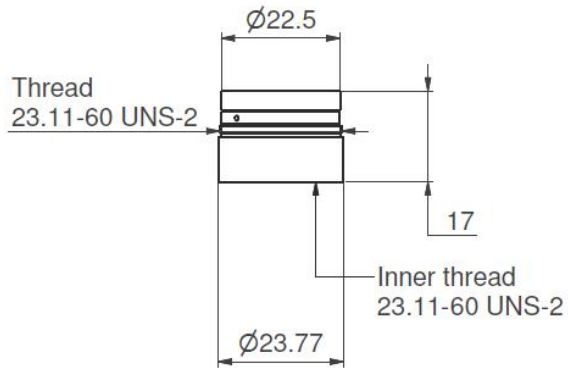
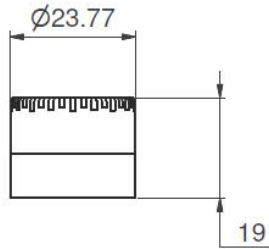
*Typical frequency response*



*Free-field corrections for various angles of incidence*

GRAS Sound & Vibration reserves the right to change specifications without notice.

Dimensions in mm



## Optional items

<a href="#">GRAS RA0017</a>	½" Preamplifier to 1" Microphone Adapter
<a href="#">GRAS RA0073</a>	½" Preamplifier to 1" Microphone Adapter
GRAS CA0001	Traceable Calibration of Microphone
GRAS CA2001	Accredited Calibration of Microphone

GRAS Sound & Vibration reserves the right to change accessories without notice.

# GRAS Worldwide

Subsidiaries and distributors in more  
than 40 countries

**HEAD OFFICE, DENMARK**  
**GRAS SOUND & VIBRATION**  
Skovlytoften 33  
2840 Holte  
Denmark  
Tel: +45 4566 4046  
[www.grasacoustics.com](http://www.grasacoustics.com)  
[gras@grasacoustics.com](mailto:gras@grasacoustics.com)

**USA**  
**GRAS SOUND & VIBRATION**  
5750 S.W. Arctic Drive  
Beaverton, OR 97005  
Tel: 503-627-0832  
Toll Free: 800-231-7350  
[www.grasacoustics.com](http://www.grasacoustics.com)  
[sales-usa@grasacoustics.com](mailto:sales-usa@grasacoustics.com)

**UK**  
**GRAS SOUND & VIBRATION**  
Unit 115, Gibson House,  
Ermine Business Park, Huntingdon,  
Cambridgeshire, PE29 6XU  
Tel: +44 (0) 7762 584 202  
[www.grasacoustics.com](http://www.grasacoustics.com)  
[sales-uk@grasacoustics.com](mailto:sales-uk@grasacoustics.com)

**CHINA**  
**GRAS SOUND & VIBRATION**  
Room 303, Building T6  
Hongqiaohui, 990, Shenchang Road  
Minhang District, Shanghai  
China. 201106  
Tel: +86 21 64203370  
[www.grasacoustics.cn](http://www.grasacoustics.cn)  
[cnsales@grasacoustics.com](mailto:cnsales@grasacoustics.com)



## About GRAS Sound & Vibration

GRAS is a worldwide leader in the sound and vibration industry. We develop and manufacture state-of-the-art measurement microphones and related equipment for industries where acoustic measuring accuracy and repeatability are of the utmost importance. This includes applications and solutions for customers within the fields of aerospace, automotive, audiology, consumer electronics and other highly demanding industries. GRAS microphones are designed to live up to the high quality, durability and accuracy that our customers have come to expect, trust and require.

GRAS Sound & Vibration is represented through subsidiaries and distributors in more than 40 countries and is part of Axiometrix Solutions, a leading test solutions provider comprised of globally recognized measurement brands. Read more at [www.grasacoustics.com](http://www.grasacoustics.com)

[grasacoustics.com](http://grasacoustics.com)

**GRAS**  
An Axiometrix Solutions Brand