

GRAS 26C1

1/2" CCP Preamplicifier with BNC Connector, Low Frequency



Freq range: 1 Hz - 200 kHz
Noise: 1.8 μ V Gain: -0.35 dB
Special feature: Low frequency

The GRAS 1/2" Preamplifier GRAS 26C1 is a preamplifier optimized for low frequency use together with prepolarized condenser microphones. It is a small, robust unit and uses a GRAS CCP power supply (ICP $\text{\textcircled{R}}$), e.g. GRAS 12AL. It has a very low inherent noise level, and a large dynamic range and a frequency response from below 1 Hz to above 200 kHz.

Typical applications and use

CCP inputs

Prepolarized microphones

1/2" precision microphones

High levels and high frequencies

Design

The GRAS 1/2" Preamplifier GRAS 26CI is a small, robust unit and uses a GRAS CCP power supply, e.g. GRAS 12AL. It has a very low inherent noise level, a large dynamic range and a frequency response from 1 Hz to above 200 kHz.

Its small ceramic thick-film substrate has a very high input impedance, and is shielded by a guard ring to minimise the influence of stray capacitance and microphonic interference.

The GRAS 26CI is provided with a built-in TEDS* chip, and can be programmed as a single unit with a microphone fitted. It is primarily intended for the low frequency microphone 46AZ but can be used with all GRAS 1/2" prepolarized microphones and with adapters with other microphone sizes.

It has an integrated BNC output connector. The casing is made of stainless steel for maximum strength and durability.

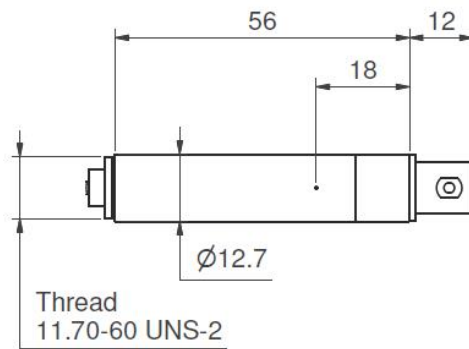
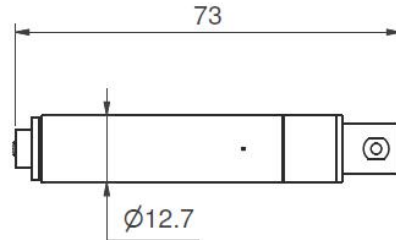
* Transducer Electronic Data Sheet - as proposed by IEEE-P1451.4

| | | |
|---|-----------------------------|------------------------|
| Frequency range (± 0.2 dB) with 18 pF microphone dummy | Hz | 1 to 200 k |
| Slew rate | V/ μ s | 20 |
| Input impedance | G Ω // pF | 40 // 0.4 |
| Output impedance | Ω | < 50 |
| Output Voltage Swing, min. @ 24-28 V CCP voltage supply | V _p | 8 |
| Noise (A-Weighted) max. | μ V | 2.5 |
| Noise (A-Weighted) typ. | μ V | 1.8 |
| Noise (Linear 20 Hz – 20 kHz) max. | μ V | 6 |
| Noise (Linear 20 Hz – 20 kHz) typ. | μ V | 3.5 |
| Gain | dB | -0.35 |
| Power supply (Constant Current Power) | mA | 2 to 20 (typical 4) |
| DC bias voltage, typ. | V | 12 |
| Temperature range, operation | $^{\circ}$ C / $^{\circ}$ F | -30 to 70 / -22 to 158 |
| Temperature range, storage | $^{\circ}$ C / $^{\circ}$ F | -40 to 85 / -40 to 185 |
| Humidity range non condensing | % RH | 0 - 95 |
| TEDS UTID (IEEE 1451.4) | | 769 v. 0.9 |
| Connector type | | BNC |
| CE/RoHS compliant/WEEE registered | | Yes / Yes, Yes |
| Weight | g / oz | 26.0 / 0.92 |

Conditions: 23 $^{\circ}$ C Ambient temperature
 4 mA / 24 V open loop CCP voltage
 18 pF dummy microphone
 3 m output coax-cable.

GRAS Sound & Vibration reserves the right to change specifications and accessories without notice.

Dimensions in mm



Optional items

| | |
|-----------------------------|--|
| GRAS AA0035 | 3 m BNC - BNC Cable |
| GRAS AA0039-CL | Customized Length BNC - BNC Cable |
| GRAS AL0008 | 1/2" Microphone Holder, POM |
| GRAS AL0012 | 1/2" Microphone Holder, Stainless Steel |
| GRAS AL0005 | Swivel head |
| GRAS AL0006 | Tripod |
| GRAS RA0019 | Adapter for 1/4" microphone and 1/2" preamplifier |
| GRAS RA0073 | Adapter for 1" microphone and 1/2" preamplifier |
| GRAS RA0190 | Right-angled (90°) Adapter for 1/2" Microphone and 1/2" Preamplifier |
| GRAS RA0018 | 20 dB Attenuator for prepolarized 1/2" microphones |
| GRAS RA0062 | 20 pF Preamplifier-input Adapter for 1/2" preamplifiers |
| GRAS 12AL | 1-Channel CCP Power Module with A-weighting filter |
| GRAS 12AQ | 2-Channel Universal Power Module with signal conditioning and PC interface |

GRAS Sound & Vibration reserves the right to change specifications and accessories without notice.

GRAS Worldwide

Subsidiaries and distributors in more
than 40 countries

HEAD OFFICE, DENMARK
GRAS SOUND & VIBRATION
Skovlytoften 33
2840 Holte
Denmark
Tel: +45 4566 4046
www.grasacoustics.com
gras@grasacoustics.com

USA
GRAS SOUND & VIBRATION
5750 S.W. Arctic Drive
Beaverton, OR 97005
Tel: 503-627-0832
Toll Free: 800-231-7350
www.grasacoustics.com
sales-usa@grasacoustics.com

UK
GRAS SOUND & VIBRATION
Unit 115, Gibson House,
Ermine Business Park, Huntingdon,
Cambridgeshire, PE29 6XU
Tel: +44 (0) 7762 584 202
www.grasacoustics.com
sales-uk@grasacoustics.com

CHINA
GRAS SOUND & VIBRATION
Room 303, Building T6
Hongqiaohui, 990, Shenchang Road
Minhang District, Shanghai
China. 201106
Tel: +86 21 64203370
www.grasacoustics.cn
cnsales@grasacoustics.com



About GRAS Sound & Vibration

GRAS is a worldwide leader in the sound and vibration industry. We develop and manufacture state-of-the-art measurement microphones and related equipment for industries where acoustic measuring accuracy and repeatability are of the utmost importance. This includes applications and solutions for customers within the fields of aerospace, automotive, audiology, consumer electronics and other highly demanding industries. GRAS microphones are designed to live up to the high quality, durability and accuracy that our customers have come to expect, trust and require.

GRAS Sound & Vibration is represented through subsidiaries and distributors in more than 40 countries and is part of Axiometrix Solutions, a leading test solutions provider comprised of globally recognized measurement brands. Read more at www.grasacoustics.com

grasacoustics.com

GRAS
An Axiometrix Solutions Brand